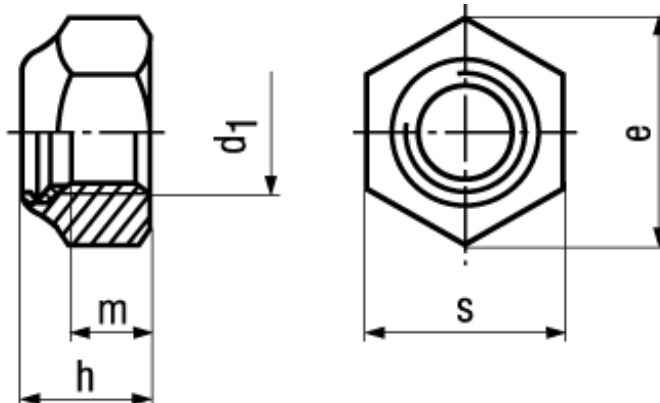


DIN 985

Standard withdrawn



BN 1403

Prevailing torque type hex lock nuts

thin type, with polyamide insert

Brass

plain

- ~UNI 7474
- ~CSN 021492



Article#	d ₁	e min.	h max.	m	s
1161199	M3	6,01	4	2,4	5,5
1161202	M4	7,66	5	2,9	7
1161210	M5	8,79	5	3,2	8
1161229	M6	11,05	6	4	10
1161237	M8	14,38	8	5,5	13