

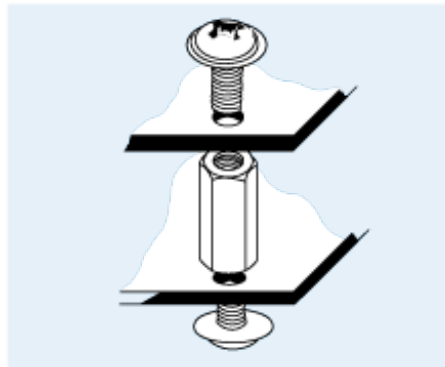


<b>BN 3320</b>
<b>Hex stand-offs</b>
with internal thread on both sides
Brass
nickel plated

 A technical brochure is available on request




b\*: fully threaded

Article#	d <sub>1</sub>	s h11	b min.	L
1544551	M2	4	*	5
1544578				6
1544586				8
1544594				10
1544608				12
1544616				14
1544624				16
1380273	M3	5,5	*	5
1382691				6
1382705				8
1382713				10
1382721				12
1382748				14
5403152				15
1382756				16
1382764				18
1382772			7	20

b\*: fully threaded

Article#	d <sub>1</sub>	s h11	b min.	L
1382780	M3	5,5	7	25
1382799				30
1382802				35
1382810				40
1382829				45
1383175				50
1383183				55
1383191				60
1544853	M4	7	*	5
1544861				6
1544888				8
1544896				10
1544918				12
1544926				14
1544934				16
1544942				18
1544950				20
1544969				25
1544977			9	30
1544985				35
1544993				40
1545000				45
1545019				50
1545027				55
1545035				60