


BN 3321

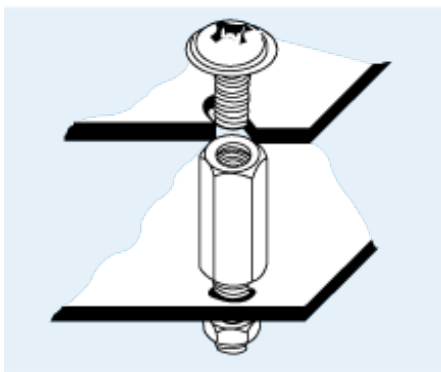
Hex stand-offs

with internal and external thread

Brass

nickel plated

 A technical brochure is available on request



Article#	d ₁	s h11	a	b min.	L
1545043	M2	4	4	2	5
1545051				3	6
1545078				4	8
1545086				5	10
1545094					12
1545108					14
1545116					16
1385119	M3	5,5	5	2,5	5
1385127				3	6
1385135				4	8
1385143				6	10
1385151					12
1385178					14
5403154					15
1385186					16
1385194					18
1385208					20
1385216					25
1385224					30

Article#	d ₁	s h11	a	b min.	L
1385232	M3	5,5	5	6	35
1380222					40
1380230					45
1380249					50
1380257					55
1380265					60
1545345	M4	7	6	2,5	5
1545353				3	6
1545361				4	8
1545388				6	10
1545396				7	12
1545418					14
5403155					15
1545426					16
1545434					18
1545442					20
1545450					25
1545469					30
1545477					35
1545485					40
1545493					45
1545507					50
1545515					55
1545523					60