

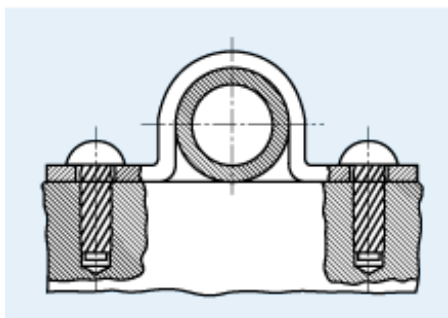



<b>BN 896</b>
<b>Hammer drive screws type U</b>
round head
Steel case-hardened
nickel plated
• ~CSN 022195

 <b>ISO 4042</b> Fasteners hardness $\geq 320$ HV with electroplated coatings: Susceptible to hydrogen embrittlement! Further notice to residual risks can be found in the introduction section.




 For fastening pipe clamps

Article#	d <sub>1</sub>	d <sub>2</sub>	d <sub>3</sub>	k	s min.	Hole-Ø	L
1360825	1,47	1,18-1,24	2,29-2,51	0,66-0,86	1,19	1,3	3,17
1360833							4,76
1360841							6,35
1360868	1,85	1,52-1,6	3-3,23	1,04-1,24	1,19	1,7	3,17
1360876							4,76
1360884							6,35
1360892	2,49	2,03-2,11	3,71-4,11	1,5-1,75	1,19	2,2	3,17
1360906							4,76
1360914							6,35
1360922							7,93
1360930	2,89	2,34-2,44	4,9-5,36	1,91-2,18	1,19	2,65	4,76
1360949							6,35
1360957							7,93
1360965							9,52
1360973	3,5	2,84-2,95	6,1-6,6	2,31-2,62	1,59	3,05	6,35

