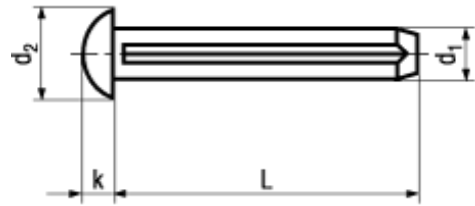


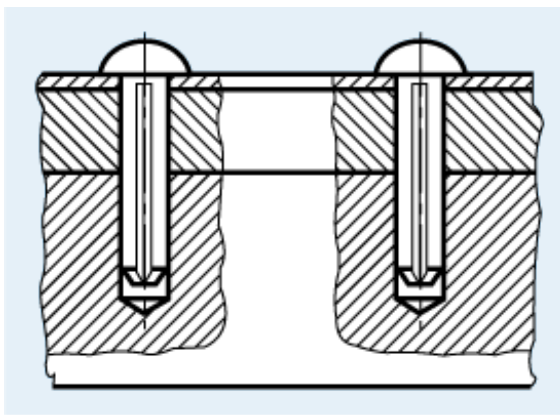
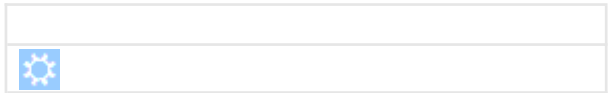
	DIN 1476	~ISO 8746			
---	-----------------	------------------	--	--	--

Standard withdrawn

KN 4



BN 893
Round head grooved pins
Steel
zinc plated blue
<ul style="list-style-type: none"> • ~UNI 7591 • ~CSN 022190



 For fastening thin plates and sheets in place

Article#	d ₁	d ₂	k	Tolerance hole	L
1359746	1,4	2,4	0,8	H11	3
1359754					4
1359762					5
1437534					6
1153099	1,6	2,8	1	H11	3
1153102					4
1153110					5
1153129					6
1359770	1,7	3	1	H11	3
1359789					4
1359797					5
1437550					6
1359800	2	3,5	1,2	H11	3
1359819					4
1359827					5

Article#	d ₁	d ₂	k	Tolerance hole	L
1359835	2	3,5	1,2	H11	6
1437585					8
1437593					10
1153145	2,5	4,4	1,5	H11	4
1153153					5
1153161					6
1153188					8
1153196					10
1359886	3	5,2	1,8	H11	4
1359894					5
1359908					6
1359916					8
1359924					10
1437720					12
1153218					16
1437747	4	7	2,4	H11	6
1359932					8
1359940					10
1359959					12
1153226					16
1359975					20
1359983	5	8,8	3	H11	8
1359991					10
1360000					12
1153234					16
1360027					20
1024523					25
1437771	6	10,5	3,6	H11	8
1437798					10
1437801					12
1153242					16
1437836					20
1024531					25
1153250	8	14	4,8	H11	16
1445294					20
1024639					25
1024647					30