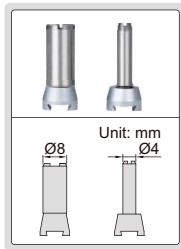


DIAL TEST INDICATORS

- Meet DIN2270 (except **2380-02**, **2381-02**)
- Jeweled bearing
- Carbide contact point
- Two measuring directions
- Anti magnetic body
- Supplied with two clamps: diameter $\varnothing 4\text{mm}$ and $\varnothing 8\text{mm}$
- Optional accessory: styli (page 134)

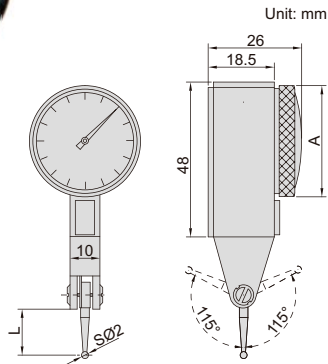
clamp (included)



2380-08

(mm)

Code	Range	Graduation	Accuracy	Hysteresis	Dial reading	A	L
2380-08*	0.8mm	0.01mm	13 μm	3 μm	0-40-0	$\varnothing 30$	13.5
2381-08*	0.8mm	0.01mm	13 μm	3 μm	0-40-0	$\varnothing 37$	13.5
2380-02*	0.2mm	0.002mm	6 μm	2 μm	0-100-0	$\varnothing 30$	12.5
2381-02*	0.2mm	0.002mm	6 μm	2 μm	0-100-0	$\varnothing 37$	12.5



* Supplied with manufacturer inspection certificate traceable to NIST USA