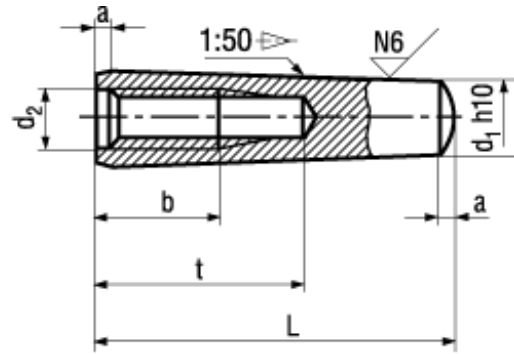




DIN 7978 A

~ISO 8736 A

Standard withdrawn



BN 865

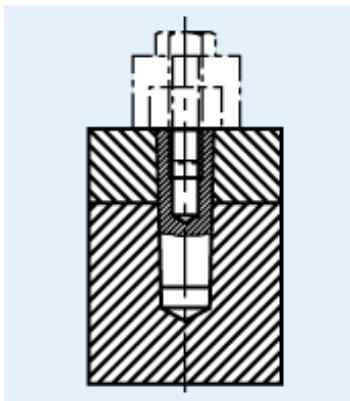
Taper pins with internal thread

unhardened, ground

Free-cutting steel

plain

- ~VSM 12782 A
- ~UNI 7284
- ~CSN 022155
- Tolerance: h10



Used for blind holes

Article#	d ₁	d ₂	a~	b	t min.	L
1315110	6	M4	0,8	6	10	20
1315129						25
1315137						30
1315145						35
1315153						40
1315161						45
1315188						50
1417975						60
1315196	8	M5	1	8	12	30
1315218						35
1315226						40

Article#	d ₁	d ₂	a~	b	t min.	L
1315234	8	M5	1	8	12	45
1315242						50
1315250						60
1417983						70
1315277	10	M6	1,2	10	16	35
1315285						40
1315293						45
1315307						50
1315315						60
1315323						65
1315331						70
1315358						80
1315366						100
1315374	12	M8	1,6	12	20	40
1417991						45
1418009						50
1418017						60
1418025						70
1418033						80
1418041						100
1418068						120
1418076	16	M10	2	16	25	60
1418084						80
1418092						100
1418114	20	M12	2,5	18	27	80
1418122						100
1418130						140