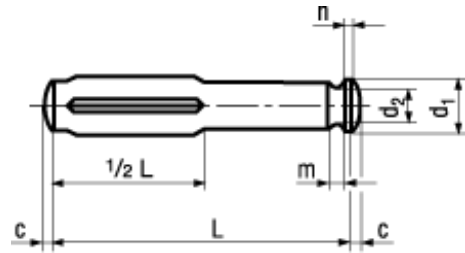





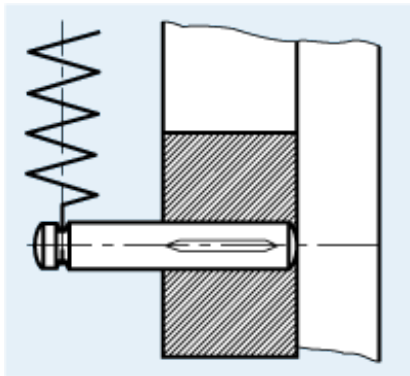
KS 67



<b>BN 1385</b>
<b>Grooved pins</b>
type C, half length grooved with gorge
Steel 11SMnPb30
plain

**i** Other supply possibilities on request:  
 - type A with grooved neck for retaining rings DIN 471  
 - type B with grooved neck for circlips DIN 6799  
 - grooved pins made of stainless steel and plastic





 With rounded gorge, used for suspension of springs

Article#	d <sub>1</sub>	±	c~	d <sub>2</sub>	n = m	Tolerance hole	L
1153404	2	h9	0,25	1	0,8	H11	6
1153412							8
1153420							10
1153439							12
1153579	3	h9	0,4	1,5	1	H11	6
1153587							8
1153595							10
1153609							12
1153617							16
1153625							20
1153633							25
1153641							30
1153676							40
1153684	4	h11	0,5	2,4	1,4	H11	10
1153692							12
1153706							16
1153714							20

Article#	d <sub>1</sub>	±	c~	d <sub>2</sub>	n = m	Tolerance hole	L
1153722	4	h11	0,5	2,4	1,4	H11	25
1153730							30
1153749							35
1153757							40
1153811	5	h11	0,6	2,8	1,6	H11	16
1153838							20
1153846							25
1153854							30
1153862							35
1153870							40
1153927	6	h11	0,8	3,8	1,6	H11	16
1153935							20
1153943							25
1153951							30
1153978							35
1153986							40
1153994							45
1154036	8	h11	1	5	2	H11	20
1154044							25
1154052							30
1154079							40
1154451							50