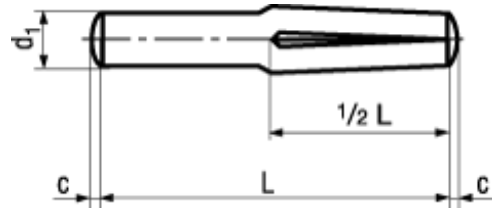


| | | |
|----------|-----------|------|
| DIN 1474 | ~ISO 8741 | KS 4 |
|----------|-----------|------|



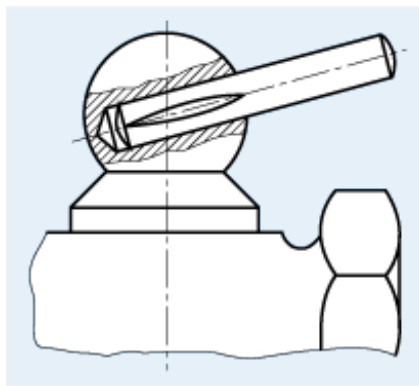
Standard withdrawn

KS 4



| |
|-----------------------------------|
| BN 885 |
| Grooved pins |
| half length reverse taper grooved |
| Steel 11SMnPb30 |
| plain |
| • ~UNI 7589 |

| |
|--|
| i Other supply possibilities on request: - grooved pins made of stainless steel or plastic |
| ⚙ |



⚙ As lever on valves

| Article# | d ₁ | ± | c~ | Tolerance hole | L |
|----------|----------------|-----|------|----------------|----|
| 1345516 | 2 | h9 | 0,25 | H11 | 6 |
| 1345524 | | | | | 8 |
| 1345532 | | | | | 10 |
| 1345540 | | | | | 12 |
| 1345656 | 2,5 | h9 | 0,3 | H11 | 8 |
| 1345664 | | | | | 10 |
| 1345672 | | | | | 12 |
| 1345699 | | | | | 16 |
| 1345788 | 3 | h9 | 0,4 | H11 | 8 |
| 1345796 | | | | | 10 |
| 1345818 | | | | | 12 |
| 1345834 | | | | | 16 |
| 1345850 | | | | | 20 |
| 1151274 | | | | | 25 |
| 8175047 | 4 | h11 | 0,5 | H11 | 8 |

| Article# | d ₁ | ± | c~ | Tolerance hole | L |
|----------|----------------|-----|------|----------------|------|
| 1345958 | 4 | h11 | 0,5 | H11 | 10 |
| 1345966 | | | | | 12 |
| 1345982 | | | | | 16 |
| 1346008 | | | | | 20 |
| 1346148 | 5 | h11 | 0,63 | H11 | 10 |
| 1346156 | | | | | 12 |
| 1346172 | | | | | 16 |
| 1346199 | | | | | 20 |
| 1346342 | 6 | h11 | 0,8 | H11 | 12 |
| 1346369 | | | | | 16 |
| 1346385 | | | | | 20 |
| 1151320 | | | | | 25 |
| 1346555 | 8 | h11 | 1 | H11 | 16 |
| 1346571 | | | | | 20 |
| 1151347 | | | | | 25 |
| 1346784 | 10 | h11 | 1,2 | H11 | 20 |
| 8055912 | | | | | (24) |
| 1151355 | | | | | 25 |
| 1346830 | | | | | 30 |
| 1346865 | | | | | 40 |