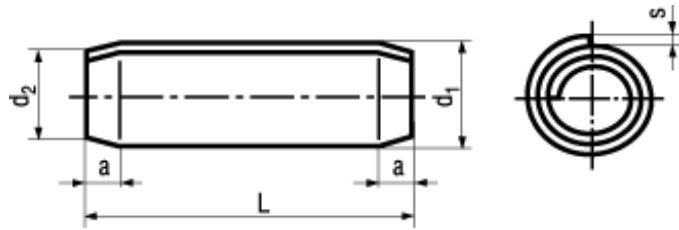




ISO 8750

DIN 7343



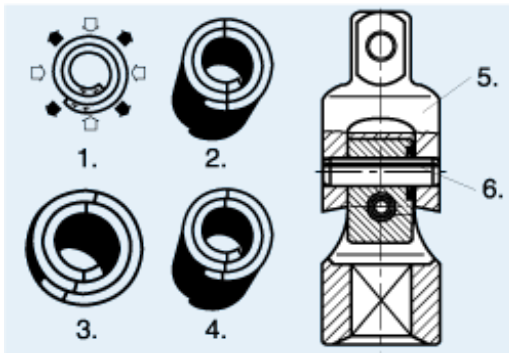
BN 1351

Spiral spring pins

standard duty

Stainless steel 1.4310

- ~UNI 6875
- High radial elasticity
- Large bore tolerances permissible
- No interlinking because of closed sleeve design
- Ideal for automatic assembling (two-sided cones)



- ☒ 1. Radial elasticity shown schematically
- 2. Pin before insertion
- 3. Pin after insertion
- 4. Pin removed with coils rebounded
- 5. Cardan joint for socket wrench
- 6. Spiral spring pin

☒ Mounting hole = nominal diameter: $\leq \varnothing 1,2$ Tol. H10 / $> \varnothing 1,2$ Tol. H12

Article#	d ₁ nom.	d ₁ min.	d ₂ max.	a~	s	L
1116215	1	1,05	0,95	0,3	0,08	4
1116223						5
1116231						6
1116258						8
1116266						10
1116274						12
1116282						14
1116290	1,5	1,62	1,4	0,5	0,13	4
1116304						5
1116312						6
1116320						8

Article#	d ₁ nom.	d ₁ min.	d ₂ max.	a~	s	L
1116339	1,5	1,62	1,4	0,5	0,13	10
1116347						12
1116355						14
1409484						16
1116363	2	2,13	1,9	0,7	0,17	4
1116371						5
1116398						6
1116401						8
1116428						10
1116436						12
1116444						14
1116452						16
1116460						18
1116479						20
1116487	2,5	2,65	2,4	0,7	0,21	5
1116495						6
1116509						8
1116517						10
1116525						12
1116533						14
1116541						16
1116568						18
1116576						20
1409492						22
1409506						24
1116584	3	3,15	2,9	0,9	0,25	8
1116592						10
1116606						12
1116614						14
1116622						16
1116630						18
1116649						20
1409514						22
1116657						24
1409522						26
1409530						28
1409549						30
1409956						32
1409972	4	4,2	3,9	1,1	0,33	8
1116665						10
1116673						12

Article#	d ₁ nom.	d ₁ min.	d ₂ max.	a~	s	L
1116681	4	4,2	3,9	1,1	0,33	14
1116703						16
1116711						18
1410156						20
1410261						22
1116738						24
1116746						26
1410334						28
1410342						30
1410407						32
1984462						35
1410431						40
1410474	5	5,25	4,85	1,3	0,42	10
1410482						12
1410490						14
1410504						16
1410512						18
1116754						20
1410520						22
1410539						24
1410547						26
1116762						28
1410555						30
1116770						32
1984470						35
1410571						40
1410598						45
1410601						50
1410628	6	6,25	5,85	1,5	0,5	12
1410636						14
1410644						16
1410652						18
1410660						20
1410679						22
1410687						24
1410695						26
1410709						28
1410717						30
1410725						32
1984519						35
1410741						40

Article#	d ₁ nom.	d ₁ min.	d ₂ max.	a~	s	L
1410768	6	6,25	5,85	1,5	0,5	45
1410776						50