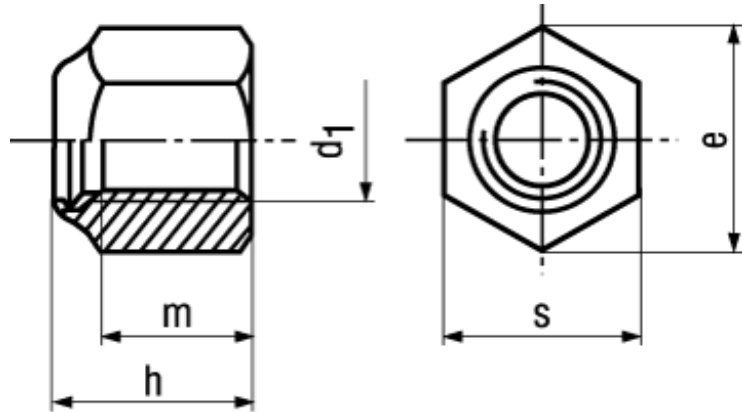




DIN 982

~ISO 7040

Standard withdrawn



BN 20739

**Prevailing torque type hex lock nuts**

high type with polyamide insert

Stainless steel A2

- ~UNI 7473
- ~NFE 25-409

M10; M12; M14: wrench size according to ISO on request

Article#	d <sub>1</sub>	h	e min.	s	m
3741610	M5	6,3	8,79	8	4,4
3741612	M6	8	11,05	10	4,9
3741613	M8	9,5	14,38	13	6,44
3741614	M10	11,5	18,9	17	8,04
3741616	M12	14	21,1	19	10,37
3741617	M14	16	24,49	22	12,1
3741618	M16	18	26,75	24	14,1
3741619	M20	22	32,95	30	16,9
3741620	M24	28	39,55	36	20,2