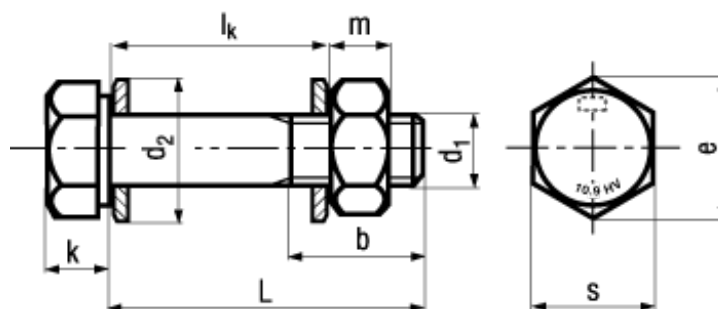




EN 14399-1

10.9



**BN 97**

**Sady HV šroubů se šestihrannou hlavou**

se šroubem se šestihrannou hlavou, maticí a podložkou

Ocel 10.9

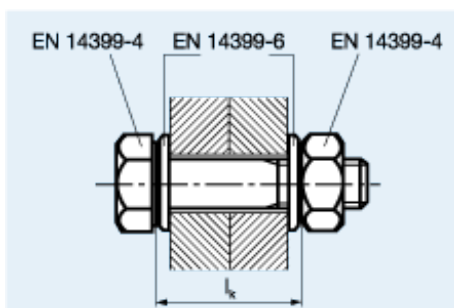
žárový zinek



Obsah sady: Sady šroubů se šestihrannou hlavou obsahují:  
 1 šroub EN 14399-4 ocel 10.9  
 1 matice EN 14399-4 ocel 10  
 2 podložky EN 14399-6 ocel 300 HV  
 matice opatřené mazivem dle k-class: K1



Další dokumenty: [www.Bossard.com](http://www.Bossard.com)



Article#	d <sub>1</sub>	e min.	k	s	d <sub>2</sub>	m	b~	l <sub>k</sub>	L
1082353	M12	23,91	8	22	24	10	23	16-21	35
1082361								21-26	40
1082388								26-31	45
1082396								31-36	50
1082418								36-41	55
1082426								41-46	60
1310151								46-51	65
1310178								51-56	70
1082434	M16	29,56	10	27	30	13	28	17-22	40
1082442								22-27	45
1082450								27-32	50
1082469								32-37	55
1082477								37-42	60
1082485								42-47	65
1082493								47-52	70
1310186								52-57	75

Article#	d <sub>1</sub>	e min.	k	s	d <sub>2</sub>	m	b~	l <sub>k</sub>	L
1082507	M16	29,56	10	27	30	13	28	57-62	80
1310194								62-67	85
1310208								67-72	90
1310216								72-77	95
1310224								77-82	100
1037633	M20	35,03	13	32	37	16	33	18-23	45
1037641								23-28	50
1082523								28-33	55
1082531								33-38	60
1082558								38-43	65
1082566								43-48	70
1082574								48-53	75
1082582								53-58	80
1082590								58-63	85
1082604								63-68	90
1082612								68-73	95
1082620								73-78	100
1310232								78-83	105
1310240								83-88	110
1310259								88-93	115
1310267								93-98	120
1310275								98-103	125
1310283								103-108	130
1037668	M24	45,2	15	41	44	20	39	29-34	60
1082655								34-39	65
1082663								39-44	70
1082671								44-49	75
1082698								49-54	80
1082701								54-59	85
1082728								59-64	90
1082736								64-69	95
1082744								69-74	100
1310380								74-79	105
1310399								79-84	110
1310402								84-89	115
1310410								89-94	120
1310429								94-99	125
1310437								99-104	130
1310445								104-109	135
1310453								109-114	140
1310461								114-119	145

Article#	d <sub>1</sub>	e min.	k	s	d <sub>2</sub>	m	b~	l <sub>k</sub>	L
1310488	M24	45,2	15	41	44	20	39	119-124	150
1419706	M27	50,85	17	46	50	22	41	36-41	70
1419714								41-46	75
1419722								46-51	80
1310496								51-56	85
1419730								56-61	90
1419749								61-66	95
1419757								66-71	100
1310518								71-76	105
1310526								76-81	110
1310534								81-86	115
1310542								86-91	120
1310550								91-96	125
1310569								96-101	130
1310577								101-106	135
1310585								106-111	140
1310593								111-116	145
1310607								116-121	150
1310615								121-126	155
1310623								126-131	160
1389386	M30	55,37	19	50	56	24	44	39-44	75
1389394								44-49	80
1389408								49-54	85
1389416								54-59	90
1389424								59-64	95
1424289								64-69	100
1424297								69-74	105
1424300								74-79	110
1424319								79-84	115
1424327								84-89	120
1387839								89-94	125
1387847								94-99	130
1387855								99-104	135
1424335								104-109	140
1424343								109-114	145
1387898								114-119	150
1387928								124-129	160