

BN 3318

**Hex stand-offs**

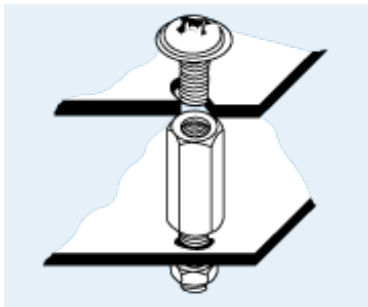
with internal and external thread

Steel

zinc plated blue



A technical brochure is available on request



Article#	d <sub>1</sub>	s h11	a	b min.	L
3664347	M2,5	5	5	2,5	5
3664348				3	6
3664349				4	8
3664350				6	10
3664351					12
3664352					16
1384740	M3	5,5	5	2,5	5
1384759				3	6
1384767				4	8
1384775				6	10
1384783					12
1384791					14
1384805					16
1384813					18
1384821					20
1384848					25
1384856					30
1384864					35
1384872					40
1384880					45
1384899					50

Article#	d <sub>1</sub>	s h11	a	b min.	L
1384902	M3	5,5	5	6	55
1384910					60
1539795	M4	7	6	2,5	5
1539809				3	6
1539817				4	8
1539825				6	10
1539833				7	12
1539841					14
1539868					16
1539876					18
1539884					20
1539892					25
1539906					30
1539914					35
1539922					40
1539930					45
1539949					50
1539957					55
1539965					60
1539973	M5	8	8	3	8
1539981				5	10
1540009				7	12
1540017				9	14
1540025					16
1540033					18
1540041					20
1540068					25
1540076					30
1540084					35
1540092					40
1540106					45
1540114					50
1540122					55
1543113					60
1266276					70
1266284					80
1423126	M6	10	10	3	8
1070959				5	10
1070967				7	12
1070975				9	14
1070983				11	16

Article#	d <sub>1</sub>	s h11	a	b min.	L
1423134	M6	10	10	11	18
1423142					20
1071009					25
1071017					30
1071025					35
1071033					40
1071041					45
1423150					50
1423169					55
1423177					60
1266306					70
1266314					80
1266322					100